

STEP LIFT



PICKERING'S LIFTS
ACCESS PRODUCTS

Product Details

POWER AND DRIVE

POWER SUPPLY

230v single phase.
Battery operated hydraulic power
with mains back up.

CONTROLS

CONTROL SYSTEM

Illuminated constant pressure
push button controls.
Key operated control stations.

SAFETY SYSTEMS

Full platform safety edge.
Auto reverse safety systems
on ramps.
Locking system to secure ramp
in UP position.

OPTIONS

ADDITIONAL OPTIONS

Interlocking gate [grey as standard].
Automatic gate [grey as standard].
Choice of RAL colours.
Protective guards on call stations.
Customised controls.
Glass infill panels.

- COMPACT LIFT, EASY AND RAPID INSTALL

- UP TO 1000mm TRAVEL AT 0.06m/s

- EMERGENCY LOWERING

- CURVED HANDRAILS WITH CONVENIENTLY LOCATED OPERATING CONTROLS

- PUMP UNIT INTEGRATED WITHIN THE GATE ALLOWING EASY ACCESS FOR SERVICING

- RIGID AND DURABLE PROTECTIVE BELLOWS

**UP TO
1000mm
TRAVEL**

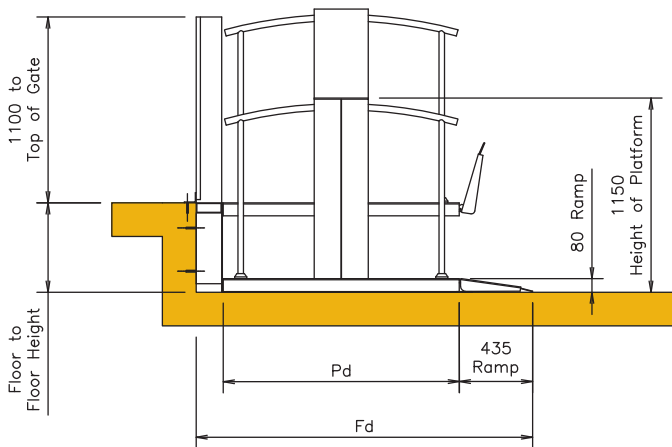


*The lift business **everyone** wants to work with*

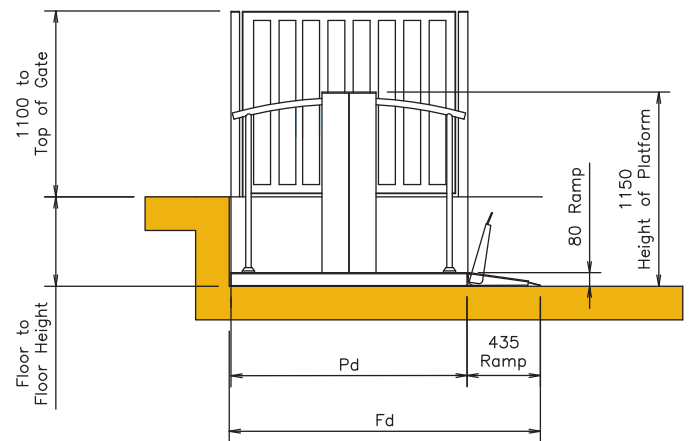
SPECIFICATIONS

RATED LOAD (kg)	250	250	250
MAX TRAVEL (mm)	1000	1000	1000
SPEED (m/s)	0.06	0.06	0.06
PLATFORM HEIGHT (mm)	1150	1150	1150
OVERALL FOOTPRINT	995 x 1995	1085 x 1995	1375 x 1995
USEABLE PLATFORM AREA	740 x 1400	800 x 1400	1100 x 1400
ADJACENT ENTRY:			
OVERALL FOOTPRINT	1145 x 1905	1235 x 1905	1525 x 1905
USEABLE PLATFORM AREA	860 x 1300	950 x 1300	1240 x 1300

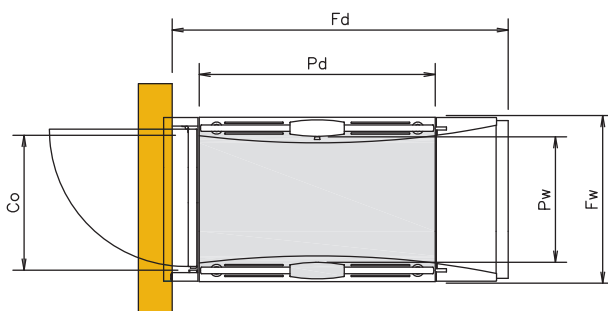
Note: All dimensions are shown in millimetres unless otherwise stated.



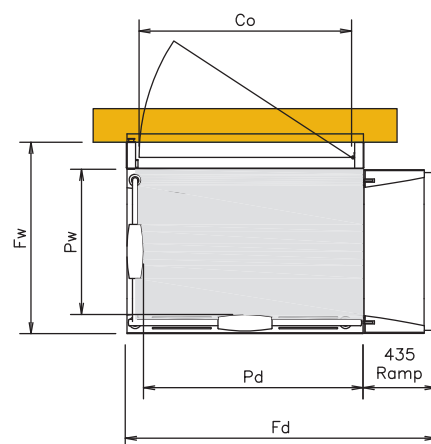
ELEVATION ON OPEN THROUGH LIFT



ELEVATION ON OPEN ADJACENT LIFT



PLAN ON OPEN THROUGH LIFT



PLAN ON OPEN ADJACENT LIFT

